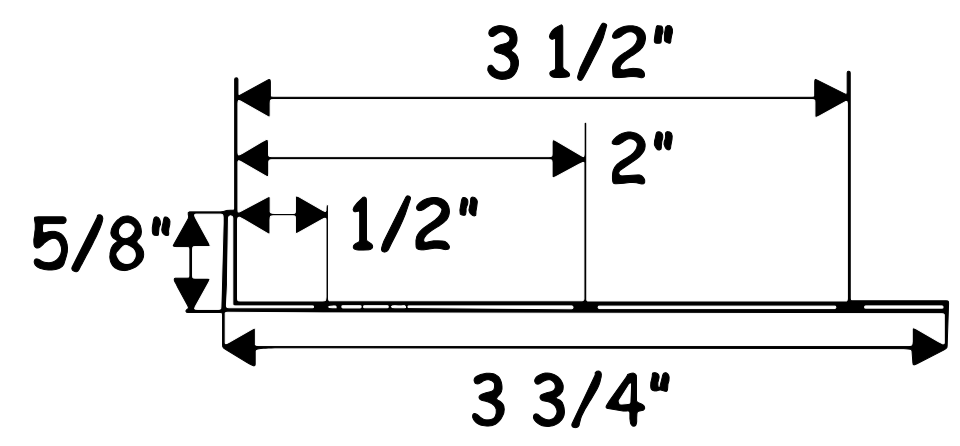
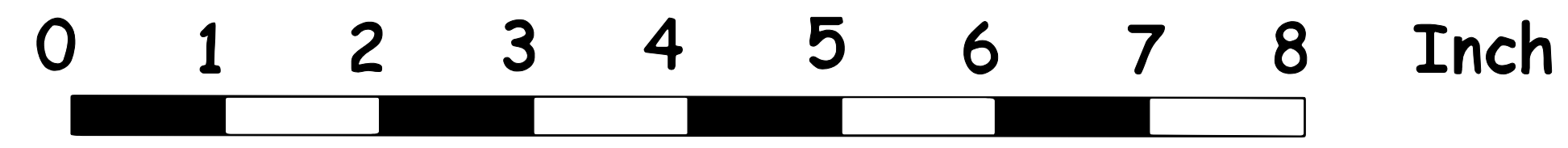


Detail A



Motor mount dimensions

The position of the center of gravity is critical for flight stability
Add weight if needed.



Simple 1/2 Man-Win Coroplast Trainer
Perfect Circle Flying Club, Winnipeg
Drawn for Balsa Beavers Model Flying Club
by Janek Zalewski Aug. 2002, June 2003